



Pat Hickey Truck & Trailer Spares

Castlemungret Industrial Estate,
Mungret, Co. Limerick V94 H288

P: 061-303900

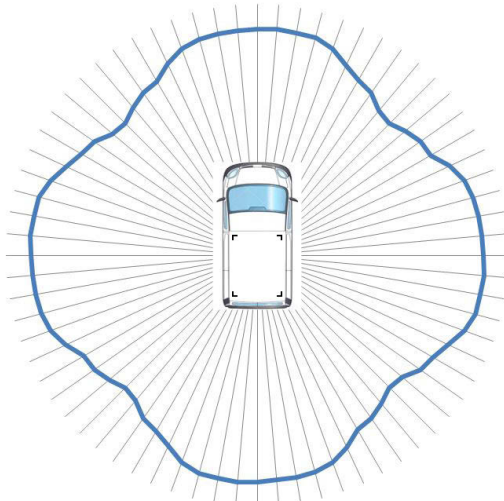
www.pathickey.com

ED5100 Series R65 Corner Module LED

The new Corner Module LED from ECCO features an exceptionally wide spread of light, far increased over conventional LED Directional modules. Fitting one LED module on each corner of the vehicle offers a full 360 degree warning coverage and is approved to ECE R65 category "T". Fitting a pair of LED modules on either the front or the rear of the vehicle offers 270 degree coverage and is approved to ECE R65 category "HT". The new Corner Module LED is also approved as a conventional LED Directional to ECE R65 category "X". Supplied with an adjustable stainless steel universal bracket this product is extremely versatile and offers 7 different flash patterns.

Models

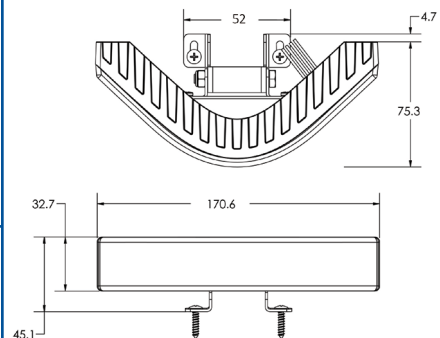
PART NO.	COLOURS	VOLTAGE	MAX AMPS
ED5100CA	Amber	10-30	1.2
ED5100CB	Blue	10-30	1.2
ED5100CR	Red	10-30	1.2
ED5100CAB	Amber/Blue	10-30	1.2



4 Corner Module LEDs fitted on the corners of a vehicle produce a strong homogeneous 360° warning signal as shown in the diagram.

— ECCO ED5100

Dimensions



Features and Benefits

- 12 Powerful LEDs
 - Low-profile
 - Surface / Bracket Mount
 - Die cast aluminium base & polycarbonate lens
 - Flash patterns
 1. R65 Single Flash (125 FPM)
 2. R65 Double Flash (125 Double FPM)
 3. R65 Quad Flash (125 Quad FPM)
 4. SAE Single Flash (75 FPM)
 5. SAE Double Flash (75 Double FPM)
 6. SAE Quad Flash (75 Quad FPM)
 7. Off
 - Synchronisable and/or alternating
 - Approved to ECE R10-05 (EMC)
 - Approved to ECE R65, Categories 'X', 'HT' & 'T'*
 - IP67
 - Operating Temperature: - 40°C to + 55°C
 - Weight: 0.39kg
- (* Except ED5100CR)