



# Anti-Syphon Devices

A range of Anti-Syphon devices to suit Heavy and Light commercial vehicles

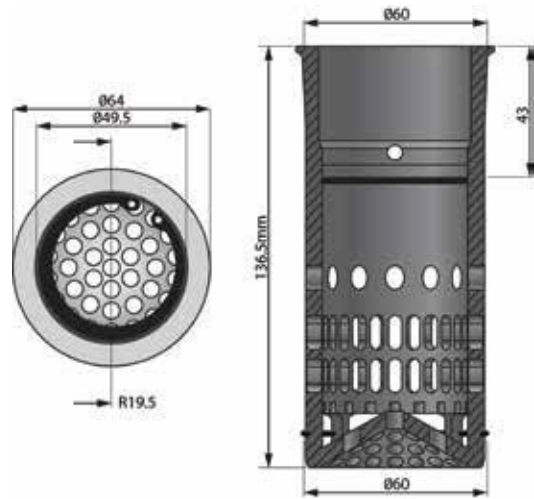
## Pat Hickey Truck & Trailer Spares

Castlemungret Industrial Estate,  
Mungret, Co. Limerick V94 H288  
P: 061-303900  
[www.pathickey.com](http://www.pathickey.com)

## ASD0001

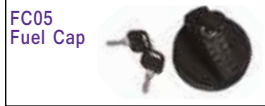
To Fit:  
DAF - LF45, LF55 & CF65 (Plastic Tank Introduced Oct. 2010)

TECHNICAL DETAILS			
DESCRIPTION	TYPE	DESCRIPTION	TYPE
Neck Fitting	Internal	Material	Aluminium
GRUB SCREW SPECIFICATION			
Thread	6.3mm	Grub Screw (L)	6.3/12.7mm
SEAL SPECIFICATION			
Material	N/A	Seal Thickness	N/A

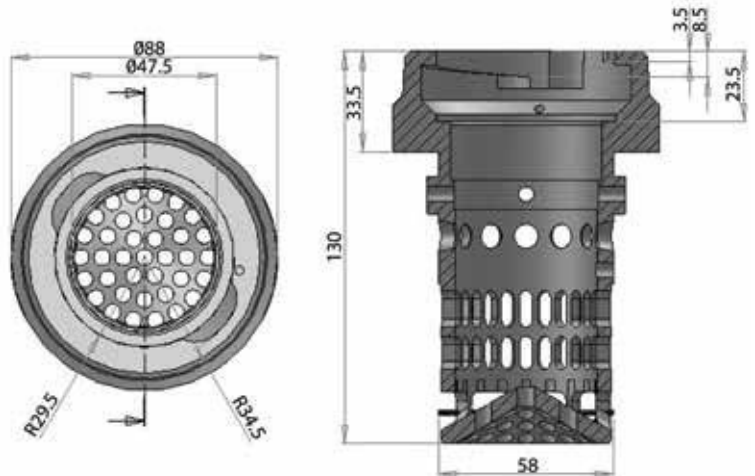


## ASD0002

To Fit: DAF - LF45, CF65, CF75  
& LF55 (Pre Sept. 2008, neck w/o welded gate valve)  
Dennis - Javlin  
ERF - EC, ECX, EC6 & EC11  
Volvo - FL (Metal Tank) & FE  
Scania - (Pre 1996)



TECHNICAL DETAILS			
DESCRIPTION	TYPE	DESCRIPTION	TYPE
Neck Fitting	Double Bayonet	Material	Aluminium
GRUB SCREW SPECIFICATION			
Thread	M6	Grub Screw (L)	14mm
SEAL SPECIFICATION			
Material	Viton	Seal Thickness	2mm

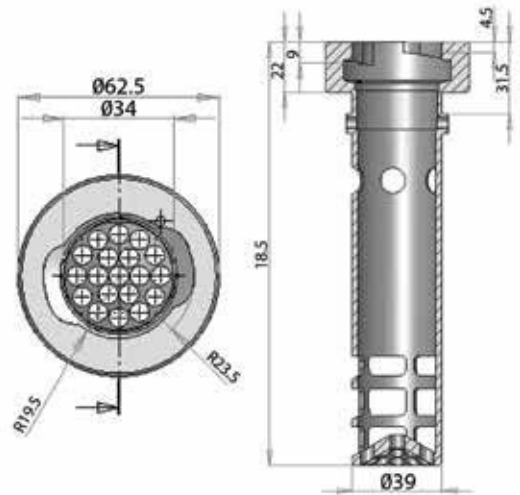


## ASD0003

To Fit:  
DAF - LF45 (Pre Sept. 2008)



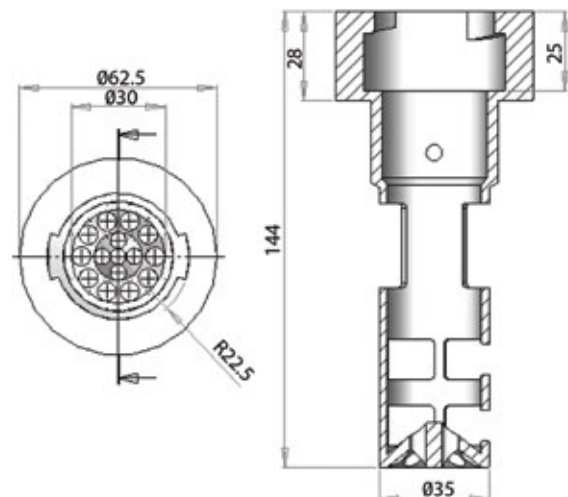
TECHNICAL DETAILS			
DESCRIPTION	TYPE	DESCRIPTION	TYPE
Neck Fitting	Double Bayonet	Material	Aluminium
GRUB SCREW SPECIFICATION			
Thread	M6	Grub Screw (L)	10mm
SEAL SPECIFICATION			
Material	Viton	Seal Thickness	2.5mm



## ASD0004

To Fit:  
Iveco - Daily Van & Chassis Cab

TECHNICAL DETAILS			
DESCRIPTION	TYPE	DESCRIPTION	TYPE
Neck Fitting	Double Bayonet	Material	Aluminium
GRUB SCREW SPECIFICATION			
Thread	M6	Grub Screw (L)	8/10mm
SEAL SPECIFICATION			
Material	Viton	Seal Thickness	2mm

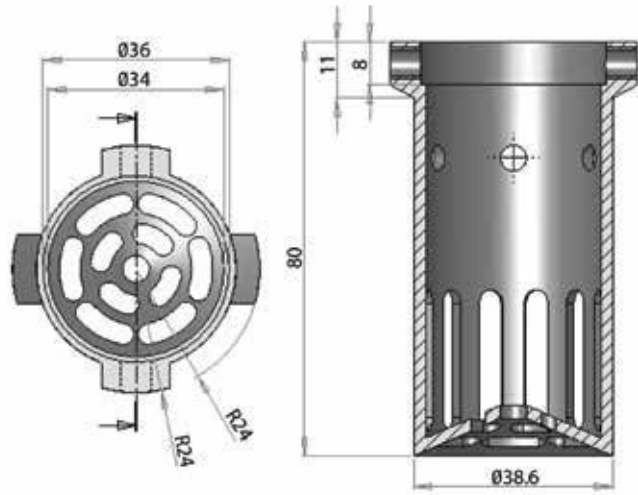


## ASD0005

To Fit:  
Mercedes - Sprinter (2001 to 2006) & Sprinter (2009 on - Euro 5)  
Volkswagen - Crafter

Please Note: Sprinter models between 2006 and 2009 have a different fuel tank neck which is too small to fit any anti-syphon device into.

TECHNICAL DETAILS			
DESCRIPTION	TYPE	DESCRIPTION	TYPE
Neck Fitting	Internal	Material	Steel
GRUB SCREW SPECIFICATION			
Thread	M6	Grub Screw (L)	10mm
SEAL SPECIFICATION			
Material	N/A	Seal Thickness	N/A

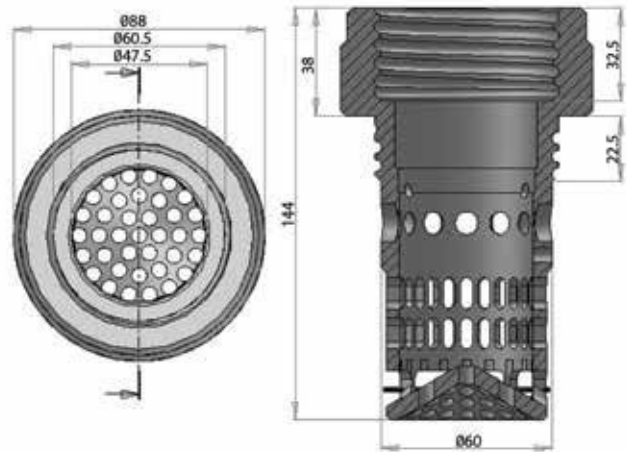


## ASD0006

To Fit:  
Iveco - Eurocargo (Plastic tank 2003 on)  
Scania - Screw Type (1996 on)



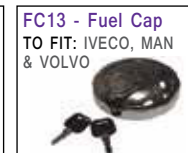
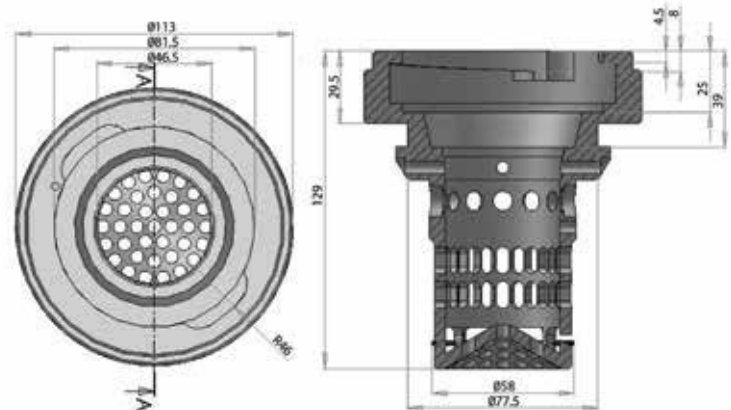
TECHNICAL DETAILS			
DESCRIPTION	TYPE	DESCRIPTION	TYPE
Neck Fitting	Screw	Material	Aluminium
GRUB SCREW SPECIFICATION			
Thread	M6	Grub Screw (L)	10mm
SEAL SPECIFICATION			
Material	Viton	Seal Thickness	2mm



## ASD0007

To Fit:  
BOVA - All Models  
DAF - CF65, CF75, CF85, XF95, XF105  
ERF - ECT  
Iveco - Eurocargo, Eurostar, Eurotech, Stralis & Trakker  
MAN - All Models  
Mercedes - All Trucks and Buses (inc. plastic fuel tank vehicles)  
Renault - Kerax, Magnum, Midlum (Metal tank) & Premium  
Volvo - F12, F16, FH, FL6 & FM

TECHNICAL DETAILS			
DESCRIPTION	TYPE	DESCRIPTION	TYPE
Neck Fitting	Double Bayonet	Material	Aluminium
GRUB SCREW SPECIFICATION			
Thread	M6	Grub Screw (L)	25mm
SEAL SPECIFICATION			
Material	Viton	Seal Thickness	104x78x2mm



MODEL	FROM	TO	UC PART	MODEL	FROM	TO	UC PART	MODEL	FROM	TO	UC PART
<b>BOVA</b>				<b>DENNIS</b>				<b>RENAULT</b>			
All Models			ASD0007	Javlin			ASD0002	Premium			ASD0007
<b>DAF</b>				<b>IVECO</b>				Magnum			ASD0007
LF45 (With Plastic Tank)	2010		ASD0001	Daily Van			ASD0004	Midlum (Metal Tank)			ASD0007
LF45		2008	ASD0003	Chassis Cab			ASD0004	Kerax			ASD0007
LF45			ASD0002	Eurocargo			ASD0007	<b>SCANIA</b>			
LF55 (With Plastic Tank)	2010		ASD0001	Eurocargo (With Plastic Tank)	2003		ASD0006	All Models	1996		ASD0002
LF55		2008	ASD0002	Stralis			ASD0007	Screw Type	1996		ASD0006
CF65 (With Plastic Tank)	2010		ASD0001	Trakker			ASD0007	<b>VOLKSWAGEN</b>			
CF65		2008	ASD0002	Eurostar			ASD0007	CRAFTER			ASD0005
CF65			ASD0007	Eurotech			ASD0007	<b>VOLVO</b>			
CF75		2008	ASD0002	<b>MAN</b>				FE			ASD0002
CF75			ASD0007	All Models			ASD0007	F12			ASD0007
CF85			ASD0007	<b>MERCEDES</b>				F16			ASD0007
XF95			ASD0007	Sprinter	2001	2006	ASD0005	FH			ASD0007
XF105			ASD0007	Sprinter Euro5		2009	ASD0005	FM			ASD0007
250 SPECTRA			ASD0007	All Models (With Plastic Tank)			ASD0007	FL (Metal Tank)			ASD0002
				All Buses (With Plastic Tank)			ASD0007	FL6			ASD0007

Manufacturers' and other wholesalers' part numbers used in this catalogue are for cross reference purposes only and do not imply anything about the origin or manufacturer of the product



# Anti-Syphon Devices

*part of the Truck Range from Universal Components UK Ltd*



8 Stevenson Way, Sheffield S9 3WZ

Sheffield	Tel: +44(0) 114 261 1122 / Fax: +44(0)114 261 1155
Export	Tel: +44(0) 114 261 4129 / Fax: +44(0)114 261 4135
Trafford Park	Tel: +44(0) 161 848 8800 / Fax: +44(0)161 848 8899
West Brom	Tel: +44(0) 844 801 0007 / Fax: +44(0)121 553 0903

*available now online at [www.ucukltd.com](http://www.ucukltd.com)*